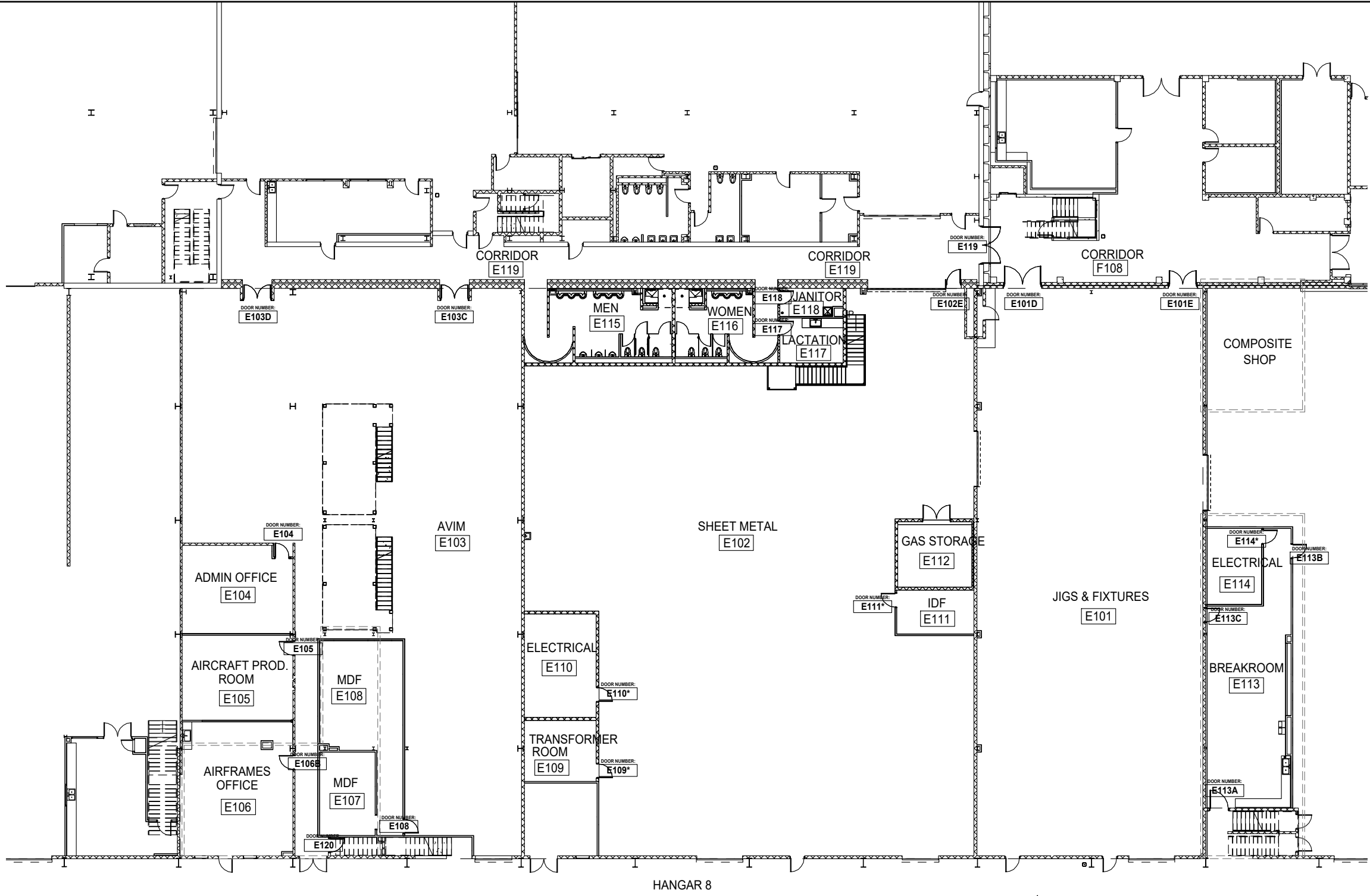


LOCATION MAP
 SCALE = NTS



FLOOR PLAN

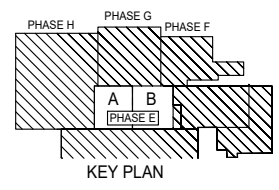
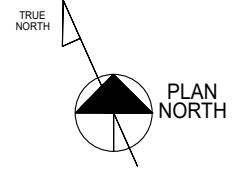
SCALE: NTS

ARCH REF: 1/E-A102
 1/E-A103
 DS/E-A603 N/E-A603 PG/E-A603

01

GROUND FLOOR

GLASS LITES ONLY ON INTERIOR DOORS



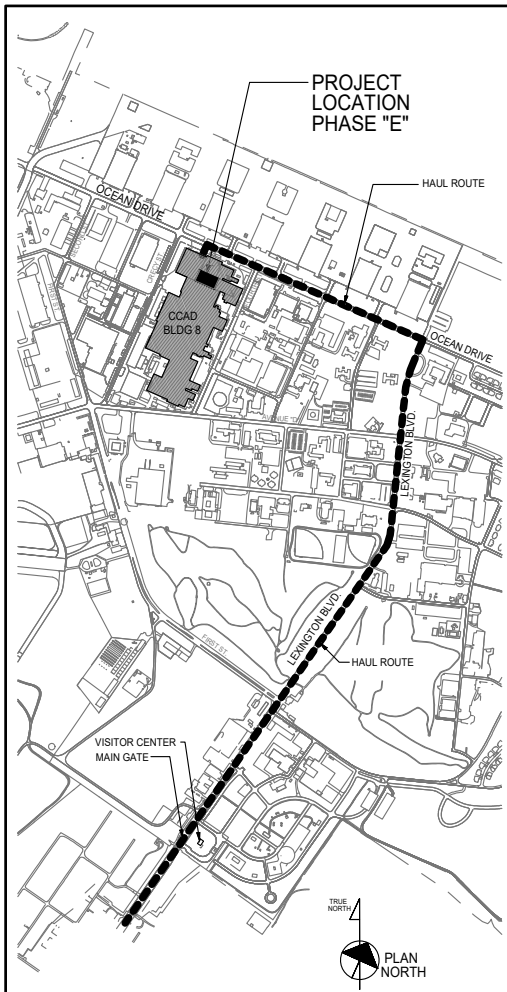
NOTE:
 DOORS WITH THE * SYMBOL HAVE FIRE-RATED GLASS.

NO.	DATE	BY	DESCRIPTION
1	11/01/22	fp	First Submittal

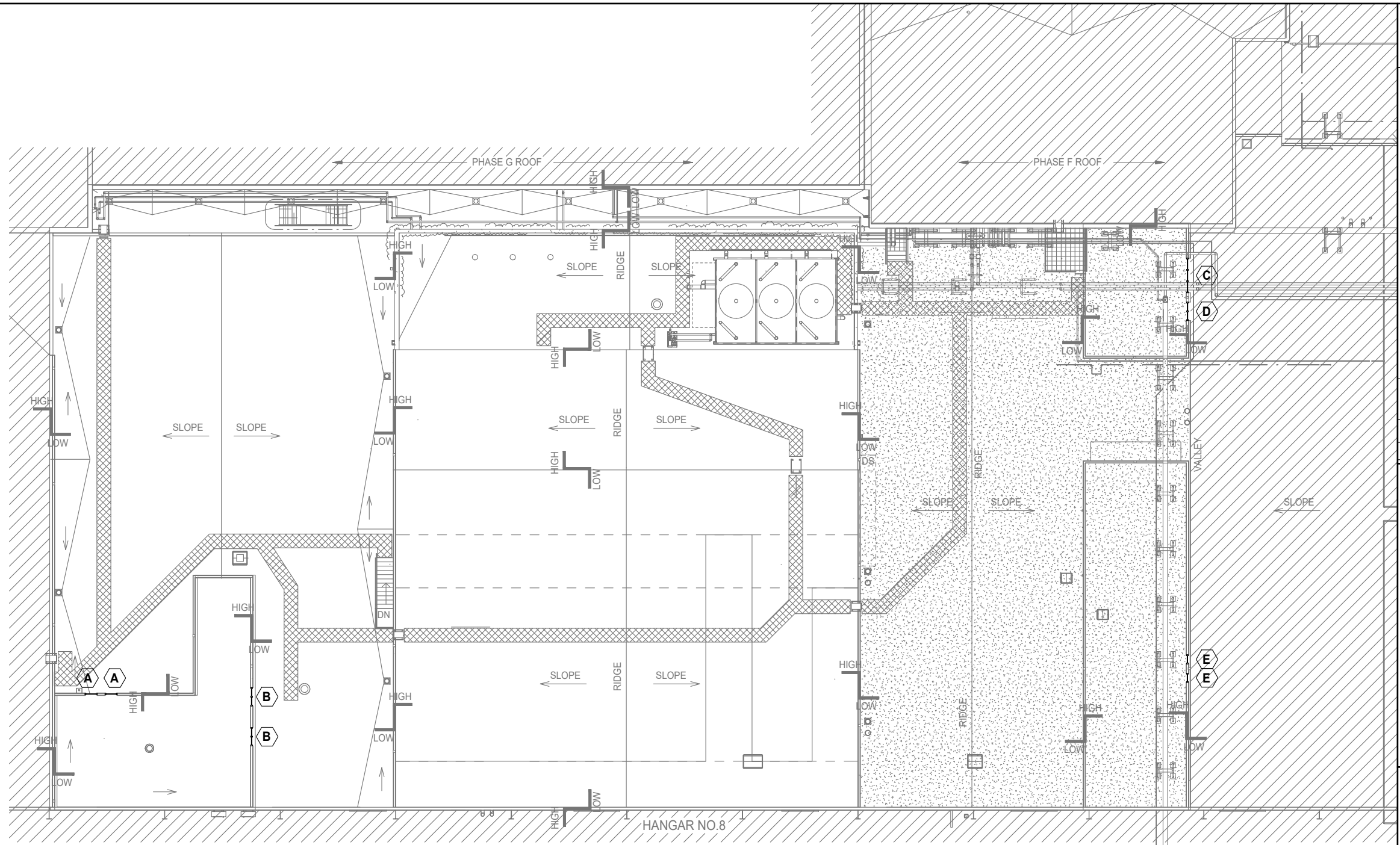
EVINS GLASS SERVICE, INC
 101 N.P.I.D., CORPUS CHRISTI, TX 78406
 WORK (361) 884-3995 FAX (361) 884-4262

PROJECT: CORPUS CHRISTI ARMY DEPOT, BLDG 8 NORTH
REHABILITATION, PHASE E
 ARCHITECT: US ARMY CORPS OF ENGINEERS
 INTEGRATED FEDERAL SERVICES, FORT WORTH
 GENERAL CONTRACTOR: EXPRESS CONTRACTING
 (214) 337-2260

PROJECT NO.	EGS-2210-01
DRAWN BY	fp
DATE	11/01/22
SCALE	NTS
DRAWING	FLOOR PLANS
SHEET	P1



LOCATION MAP
SCALE = NTS



ROOF PLAN

SCALE: NTS

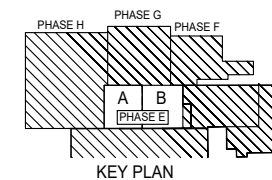
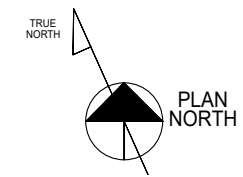
ARCH REF: 1/E-A121
 1/E-A203
 3/E-A203

01

ALUMINUM STOREFRONT

KAWNEER IR-501 IMPACT STOREFRONT

7/E-A203 1/E-AD122 1/E-AD123 9/E-AD123 3/E-AD125 4/E-AD125



NO.	DATE	DESCRIPTION
1	11/01/22	First Submittal
fp	BY	
SUB		

EVINS GLASS SERVICE, INC

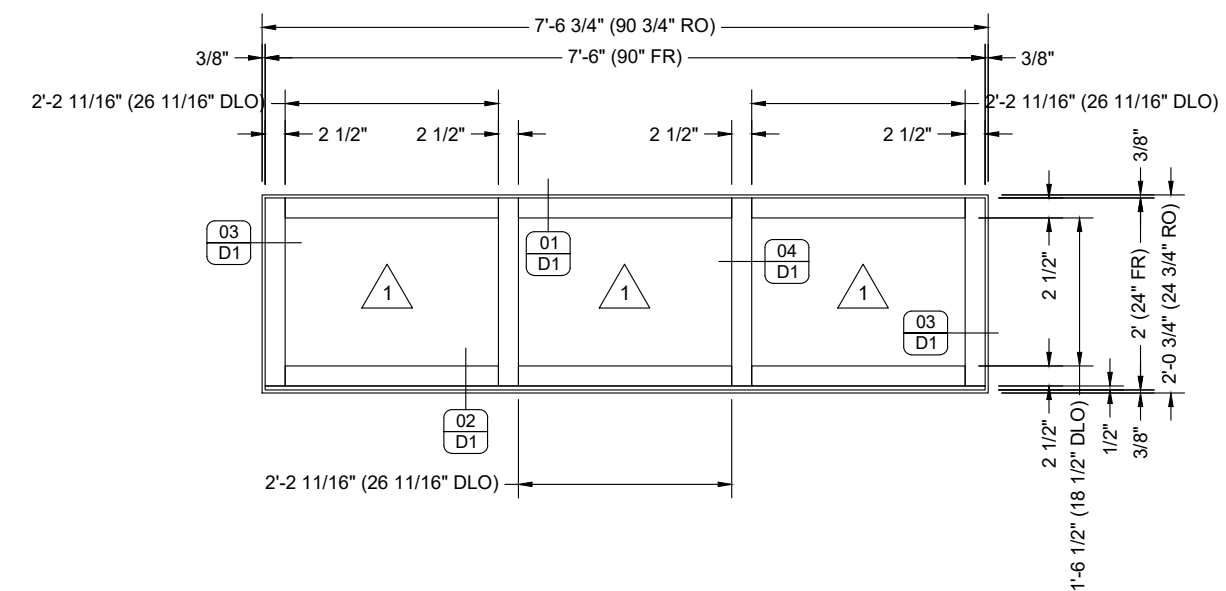
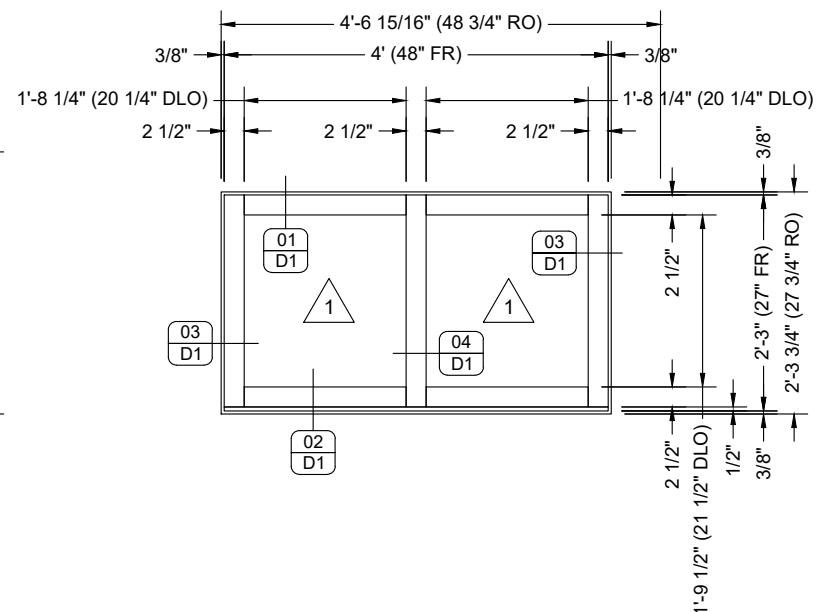
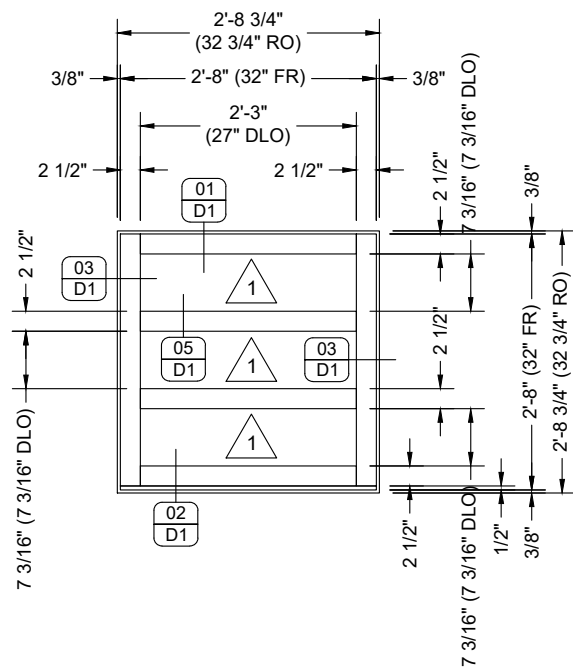
101 N.P.I.D., CORPUS CHRISTI, TX 78406
 WORK (361) 884-3995 FAX (361) 884-4262

PROJECT: CORPUS CHRISTI ARMY DEPOT, BLDG 8 NORTH
REHABILITATION, PHASE E

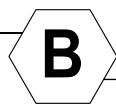
ARCHITECT: US ARMY CORPS OF ENGINEERS
 INTEGRATED FEDERAL SERVICES, FORT WORTH
 GENERAL CONTRACTOR: EXPRESS CONTRACTING
 (210) 337-2260

PROJECT NO.	EGS-2210-01
DRAWN BY	fp
DATE	11/01/22
SCALE	NTS
DRAWING	FLOOR PLANS
SHEET	P2

NO.	DATE	DESCRIPTION
1	11/01/22	First Submittal



ELEVATION

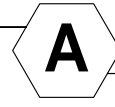


EXT STOREFRONT

QUANTITY: 02
 SCALE: 1/2" = 1'-0"
 ARCH REF: 1/E-A121
 3/E-A203
 1/E-AD123

KAWNEER IR-501 IMPACT ALUMINUM STOREFRONT

ELEVATION

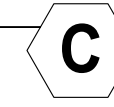


EXT STOREFRONT

QUANTITY: 02
 SCALE: 1/2" = 1'-0"
 ARCH REF: 1/E-A121
 1/E-A203
 1/E-AD122

KAWNEER IR-501 IMPACT ALUMINUM STOREFRONT

ELEVATION



EXT STOREFRONT

QUANTITY: 01
 SCALE: 1/2" = 1'-0"
 ARCH REF: 1/E-A121
 7/E-A203
 4/E-AD125

KAWNEER IR-501 IMPACT ALUMINUM STOREFRONT

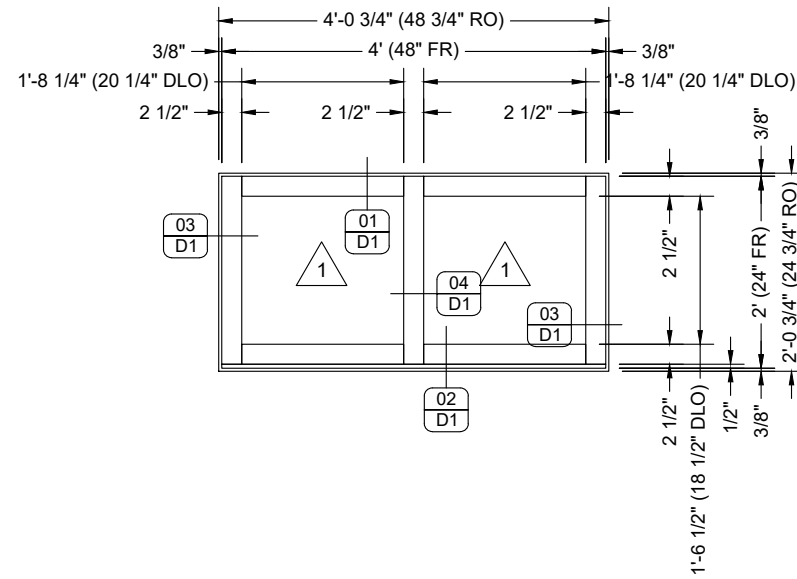
EVINS GLASS SERVICE, INC

101 N.P.I.D., CORPUS CHRISTI, TX 78406
 WORK (361) 884-3995 FAX (361) 884-4262

PROJECT: CORPUS CHRISTI ARMY DEPOT, BLDG 8 NORTH
REHABILITATION, PHASE E

ARCHITECT: US ARMY CORPS OF ENGINEERS
 INTEGRATED FEDERAL SERVICES, FORT WORTH
 GENERAL CONTRACTOR: EXPRESS CONTRACTING
 (710) 337-2265

PROJECT NO.	EGS-2210-01
DRAWN BY	fp
DATE	11/01/22
SCALE	1/2" = 1'-0"
DRAWING	ELEVATIONS
SHEET	E1



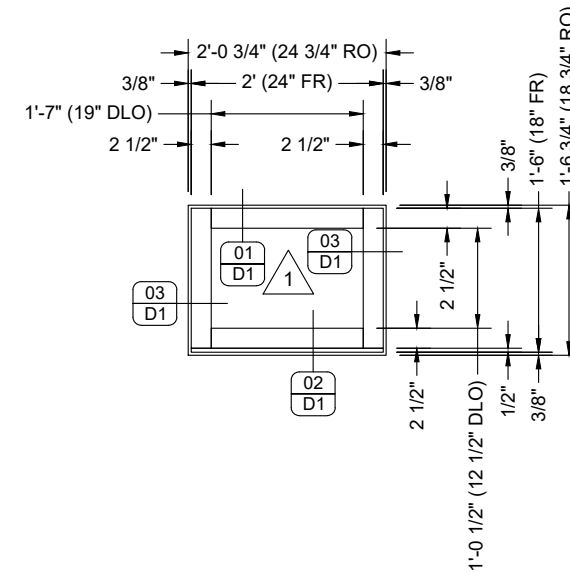
ELEVATION

QUANTITY: 01
 SCALE: 1/2" = 1'-0"
 ARCH REF: 1/E-A121
 7/E-A203
 4/E-AD125



EXT STOREFRONT

KAWNEER IR-501 IMPACT ALUMINUM STOREFRONT



ELEVATION

QUANTITY: 02
 SCALE: 1/2" = 1'-0"
 ARCH REF: 1/E-A121
 7/E-A203
 3/E-AD125



EXT STOREFRONT

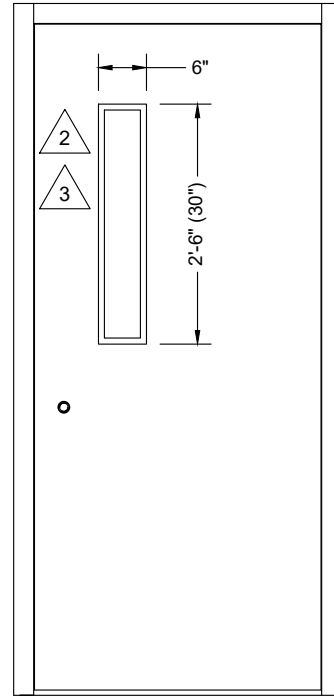
KAWNEER IR-501 IMPACT ALUMINUM STOREFRONT

NO.	DATE	DESCRIPTION
1	11/01/22	First Submittal

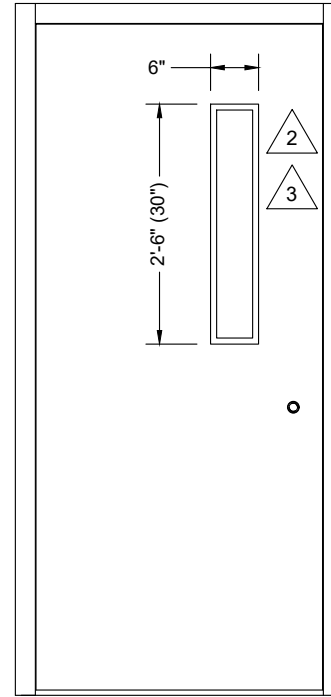
EVINS GLASS SERVICE, INC
 101 N.P.I.D., CORPUS CHRISTI, TX 78406
 WORK (361) 884-3995 FAX (361) 884-4262

PROJECT: CORPUS CHRISTI ARMY DEPOT, BLDG 8 NORTH
REHABILITATION, PHASE E
 ARCHITECT: US ARMY CORPS OF ENGINEERS
 INTEGRATED FEDERAL SERVICES, FORT WORTH
 GENERAL CONTRACTOR: EXPRESS CONTRACTING
 (710) 337-2260

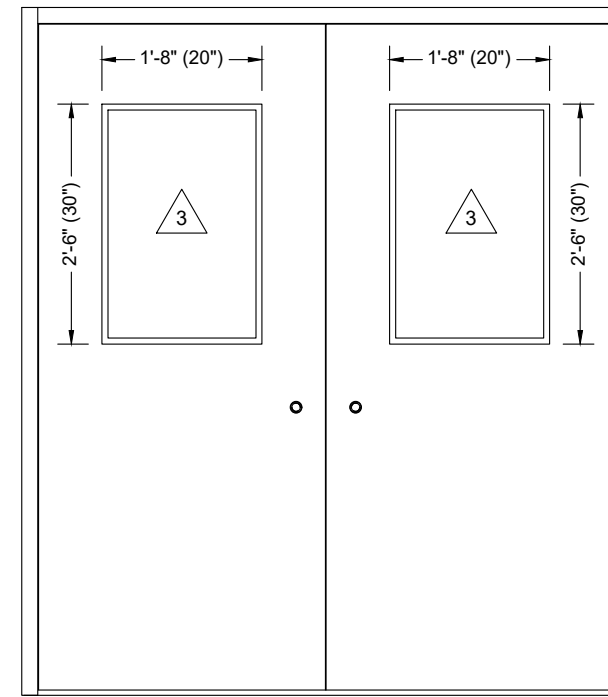
PROJECT NO.	EGS-2210-01
DRAWN BY	fp
DATE	11/01/22
SCALE	1/2" = 1'-0"
DRAWING	ELEVATIONS
SHEET	E2



DOOR NUMBER(S)
E104 **E113B** **E113C**
***E114** **E117** **E118**
E120



DOOR NUMBER(S)
E102E **E105** **E106B**
E108 ***E109** ***E110**
***E111** **E113**



DOOR NUMBER(S)
E101D **E101E** **E103C**
E103D **E119**

ELEVATION



NARROW LITE

QUANTITY: 08 (03 F-R)
 SCALE: 1/2" = 1'-0"
 ARCH REF: 1/E-A102
 1/E-A103
 DS/E-603
 N/E-603
 NOTE: THE SYMBOL * INDICATES THAT THIS DOOR NUMBER HAS FIRE-RATED GLAZING

NARROW GLASS ONLY
 RIGHT-HAND DOOR

ELEVATION



NARROW LITE

QUANTITY: 07 (01 F-R)
 SCALE: 1/2" = 1'-0"
 ARCH REF: 1/E-A102
 1/E-A103
 DS/E-A603
 N/E-A-603
 NOTE: THE SYMBOL * INDICATES THAT THIS DOOR NUMBER HAS FIRE-RATED GLAZING

NARROW GLASS ONLY
 LEFT-HAND DOOR

ELEVATION



HALF LITE

QUANTITY: 05
 SCALE: 1/2" = 1'-0"
 ARCH REF: 1/E-A102
 1/E-A103
 DS/E-A603
 PG/E-A603

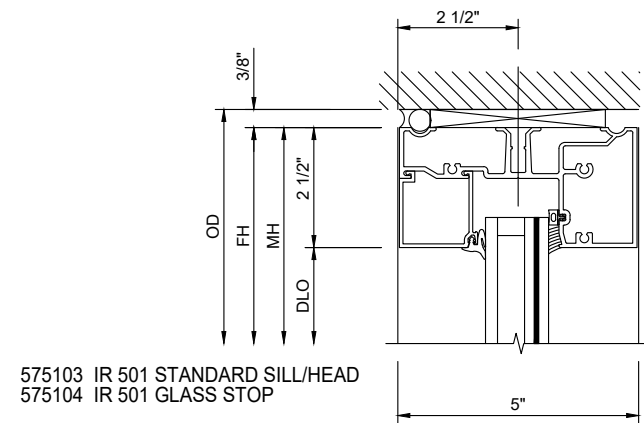
HALF GLASS ONLY
 DOUBLE DOORS

NO.	DATE	DESCRIPTION
1	11/01/22	First Submittal

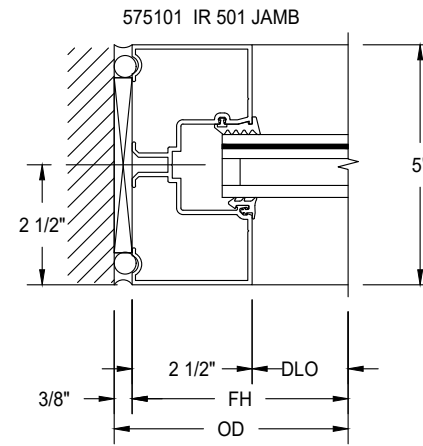
EVINS GLASS SERVICE, INC
 101 N.P.I.D., CORPUS CHRISTI, TX 78406
 WORK (361) 884-3995 FAX (361) 884-4262

PROJECT: CORPUS CHRISTI ARMY DEPOT, BLDG 8 NORTH
REHABILITATION, PHASE E
 ARCHITECT: US ARMY CORPS OF ENGINEERS
 INTEGRATED FEDERAL SERVICES, FORT WORTH
 GENERAL CONTRACTOR: EXPRESS CONTRACTING
 (710) 337-2263

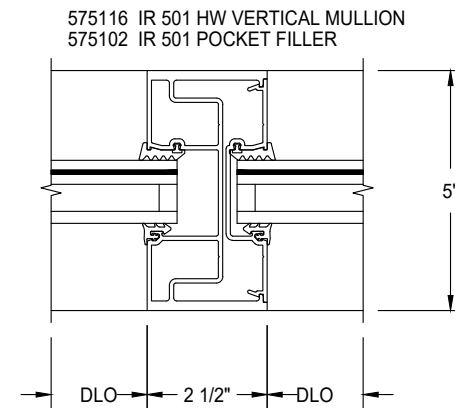
PROJECT NO.	EGS-2210-01
DRAWN BY	fp
DATE	11/01/22
SCALE	1/2" = 1'-0"
DRAWING	ELEVATIONS
SHEET	E3



575103 IR 501 STANDARD SILL/HEAD
 575104 IR 501 GLASS STOP



575101 IR 501 JAMB



575116 IR 501 HW VERTICAL MULLION
 575102 IR 501 POCKET FILLER

DETAIL 03 EXT JAMB

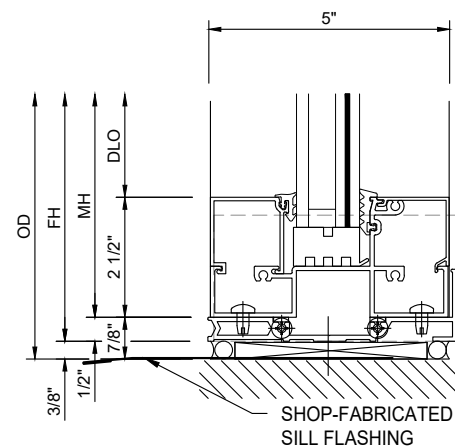
SCALE: 3" = 1'-0"
 ARCH REF: N/A

KAWNEER IR 501 ALUMINUM STOREFRONT

DETAIL 01 EXT HEAD

SCALE: 3" = 1'-0"
 ARCH REF: N/A

KAWNEER IR 501 ALUMINUM STOREFRONT



575158 IR 501 OPTIONAL SILL
 575157 HP SILL FLASHING
 575208 END DAM
 575159 IR 501 OPTIONAL SILL COVER
 575104 IR 501 GLASS STOP

SHOP-FABRICATED SILL FLASHING

DETAIL 02 EXT SILL

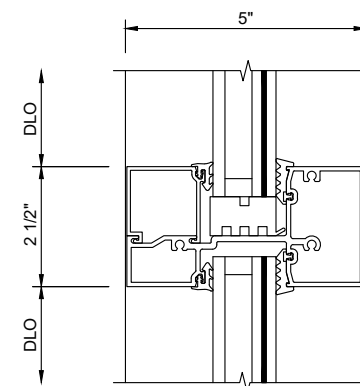
SCALE: 3" = 1'-0"
 ARCH REF: N/A

KAWNEER IR 501 ALUMINUM STOREFRONT

DETAIL 04 EXT VERTICAL

SCALE: 3" = 1'-0"
 ARCH REF: N/A

KAWNEER 350 IR IMPACT RESISTANT OUT-SWING ENTRANCE



575115 IR 501 TUBULAR HORIZONTAL
 575104 IR 501 GLASS STOP

DETAIL 05 EXT HORIZONTAL

SCALE: 3" = 1'-0"
 ARCH REF: N/A

KAWNEER IR-501 IMPACT ALUMINUM STOREFRONT

NO.	DATE	BY	DESCRIPTION
1	11/01/22	fp	First Submittal

EVINS GLASS SERVICE, INC
 101 N.P.I.D., CORPUS CHRISTI, TX 78406
 WORK (361) 884-3995 FAX (361) 884-4262

PROJECT: CORPUS CHRISTI ARMY DEPOT, BLDG 8 NORTH
REHABILITATION, PHASE E
 ARCHITECT: US ARMY CORPS OF ENGINEERS
 INTEGRATED FEDERAL SERVICES, FORT WORTH
 GENERAL CONTRACTOR: EXPRESS CONTRACTING
 (214) 337-2266

PROJECT NO.	EGS-2210-01
DRAWN BY	fp
DATE	11/01/22
SCALE	3" = 1'-0"
DRAWING	DETAILS
SHEET	D1